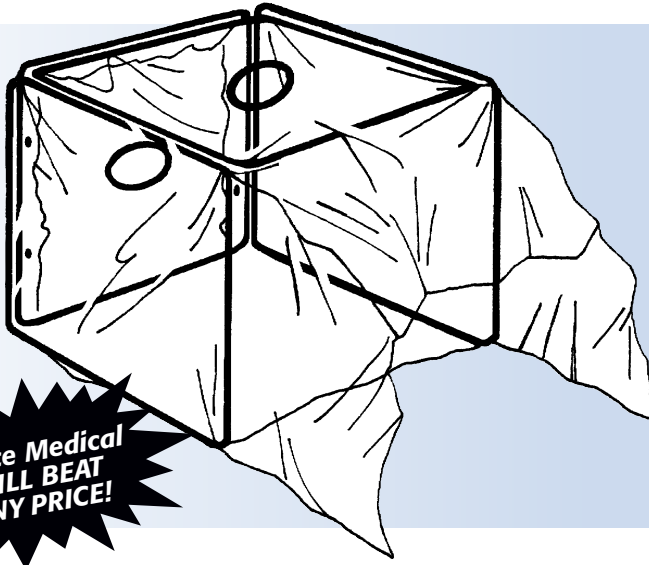


PEACE MEDICAL **Mist Hut** Aerosol/O² Enclosures



**Peace Medical
WILL BEAT
ANY PRICE!**

O² hoods are better tolerated by infants and preferred by parents

- Easy to set up and use
- Eight styles and sizes available
- Every Mist Hut is individually packed and disposable

Peace Medical Mist Huts are latex-free, constructed of sturdy steel frames and 4 mil clear vinyl enclosure material, and are shipped flat for easy storage. All Mist Hut styles can be ordered in *Jumbo Case* quantities for increased savings.

Mini Hut CAT NO. 1007

For premature, low birth weight neonate care

Packed ten to a case, 7" x 7" x 7". Five cases take up one cubic foot of storage space. Stores in 3" high flat box.

ORDER NO. **1007** Case of 10

ORDER NO. **1007J** Jumbo Case of 50

Call for pricing

King Hut CAT NO. 1012

For small children through adults

Packed five to a case, 24" x 24" x 24". Five cases take up 4.5 cubic feet of storage space. Stores in 2" high flat box.

ORDER NO. **1012** Case of 5

ORDER NO. **1012J** Jumbo Case of 25

Call for pricing

Katie Hut CAT NO. 1009

For full term, lower birth weight infants

Packed five to a case, 10" x 10" x 10". Five cases take up 1.1 cubic feet of storage space. Stores in 2" high flat box.

ORDER NO. **1009** Case of 5

ORDER NO. **1009J** Jumbo Case of 25

Call for pricing

Brian Hut CAT NO. 1056

For toddlers

Packed five to a case, 18" x 18" x 18". Five cases take up 2.5 cubic feet of storage space. Stores in 2" high flat box.

ORDER NO. **1056** Case of 5

ORDER NO. **1056J** Jumbo Case of 25

Call for pricing

Tot Hut CAT NO. 1011

Primarily for use with full term, normal birth weight infants

Packed five to a case, 12" x 12" x 12". Five cases take up 1.1 cubic feet of storage space. Stores in 2" high flat box.

ORDER NO. **1011** Case of 5

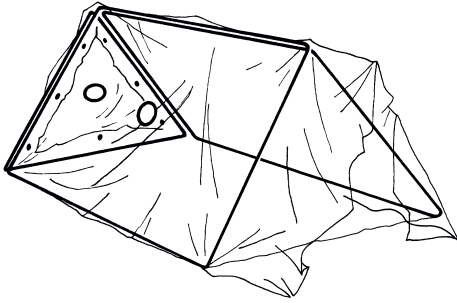
ORDER NO. **1011J** Jumbo Case of 25

Call for pricing

Other PEACE MEDICAL **Mist Hut** Styles

Pup Hut

CAT NO. 1031



Designed to attain higher mist/O² concentration by reducing inside area inherent to larger hoods

Packed five to a case, 24" x 24" x 20". Five cases take up 4.5 cubic foot of storage space. Stores in 2" high flat box.

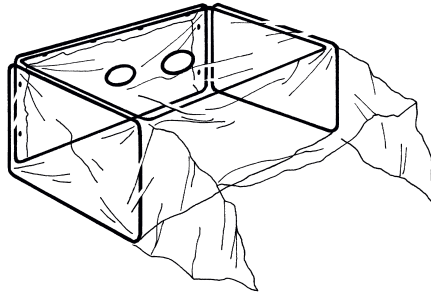
ORDER NO. 1031 Case of 5

ORDER NO. 1031J Jumbo Case of 25

Call for pricing

Hutzel Hut

CAT NO. 1036



Specifically designed to fit inside an incubator, with infants full body enclosed within hood

Packed five to a case, 8" x 12" x 16". Five cases take up 1.5 cubic foot of storage space. Stores in 2" high flat box.

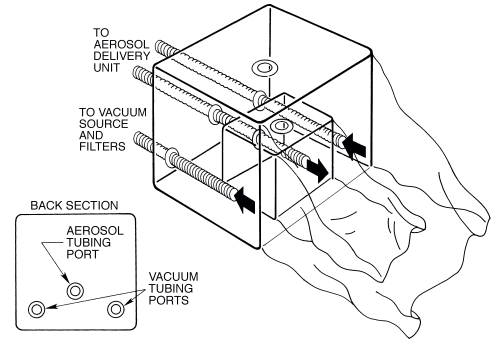
ORDER NO. 1036 Case of 5

ORDER NO. 1036J Jumbo Case of 25

Call for pricing

Double Hut

CAT NO. 2412



Temporary scavenging system to prevent staff exposure to Ribavirin

Packed three to a case. One 24" x 24" x 24" Hut with triple ports on back side (two ports added for hook-up to vacuum) and one 12" x 12" x 12" Tot Hut. Five cases take up 4.5 cubic feet of storage space. Stores in 2" high flat box.

ORDER NO. 2412 Case of 3

Call for pricing

ORDERS RECEIVED BY 2:00 EASTERN STANDARD TIME WILL SHIP THE SAME DAY

F.O.B. Orange, NJ. Net 30. Prices subject to change without notice. *Special bulk pricing and yearly contracts are available, please contact Peace Medical for more information.*



Peace Medical, Inc.

50 South Center Street, Unit 11, Orange, NJ 07050

Tel: 973-672-2120 • Fax: 973-672-3404

TOLL FREE: 800-537-9564

Email: info@peacemedical.com

www.peacemedical.com

We accept American Express, MasterCard & Visa



Peace Medical, Inc.

50 South Center Street, Unit 11
Orange, New Jersey 07050



PRESORTED
Standard
U.S. Postage Paid
W. Caldwell, NJ
Permit No. 139



PEACE MEDICAL

Mist Hut

**Aerosol/O²
Enclosures**

AVAILABLE IN EIGHT STYLES AND SIZES