



# DEMISTIFIER™

RESPIRATORY ISOLATION SOURCE CONTROL SYSTEM

“The Industry Standard”



HEPA filtration protection of Health Care Workers  
from aerosols and airborne contaminants  
as required by CDC and OSHA

**Barrier and Negative Pressure Isolation  
for Emergency Departments and Patient Rooms**

## OVERVIEW

The Demistifier 2000 HEPA (High Efficiency Particulate Air) filter enclosure is a highly portable system that allows staff to temporarily isolate potentially hazardous patients at point of entry in Emergency Departments or anywhere in the facility. The unit places the patient under a negative pressure isolation canopy while the staff assesses the situation. The patient is easily observed and treated under the clear canopy via access ports. The unit can be set up and operating in a few minutes.

With a variety of canopies available, patients can be isolated on stretchers, beds, chairs or exam tables. With up to 300 air exchanges an hour, the air inside the canopy passes through a three-stage HEPA filter system before returning to the ambient air.

This cost effective system offers a level of protection and versatility necessary during the rapidly changing situations in Emergency Departments.

# DEMISTIFIER 2000 Series Source Control Systems

**Negative pressure and barrier isolation is the best defense hospitals have against the spread of airborne pathogens.**

The DEMISTIFIER 2000 has become the industry standard for healthcare worker protection, meeting all CDC and OSHA requirements for high risk procedures.

Each configuration isolates the patient in a vinyl enclosure similar to an oxygen tent. The flexibility of the various canopies allows for optimum patient comfort. Procedures can be performed in a wheelchair, treatment chair, stretcher, bed, exam table and even a crib. Patients can be easily observed through the clear vinyl enclosure, and the system motor is quiet enough to allow normal conversation between caregiver and patient within. The DEMISTIFIER takes up little space and is easily transportable allowing movement to specific treatment areas. Vinyl canopies are inexpensive and disposable.

### DEMISTIFIER System uses include:

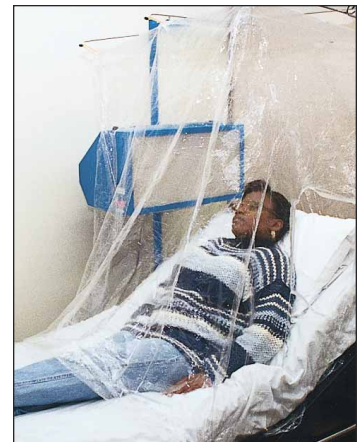
- **Respiratory and barrier isolation**
  - Sputum induction • Airborne respiratory isolation
- **Aerosolized drug treatments**
  - Ribavirin (bone marrow transplant patients)
  - Pentamidine • Aerosolized antibiotics
- **Configurations for use throughout facility**
  - Emergency department • Respiratory department
  - Patient room • ICU
- **Transport under negative pressure**

### All DEMISTIFIERS feature:

- 99.99% HEPA filtration
- Easily portable and adaptable configurations for a variety of procedures
- Sturdy steel construction with easy-change filter system
- No installation requirements and is easy to operate, clean and maintain

## STANDARD CONFIGURATIONS

These DEMISTIFIER configurations are designed for sputum induction and aerosolized drug treatments (Ribavirin and Pentamidine). The DEMISTIFIER 2000 unit combined with the 2001 Chair Canopy is for use with a treatment chair or wheelchair. The chairs can be in an upright or semi-reclined position. The DEMISTIFIER 2000 unit combined with the 2005 Bed Canopy provides an isolation enclosure for bed procedures. The DEMISTIFIER 2000 with 2006 Canopy and 2007 Crib Mast and Boom Assembly components can be used for crib applications. This configuration also provides respiratory isolation for compromised infants and allows for aerosolized drug treatments.



DEMISTIFIER 2000 with 2005 Bed Canopy



DEMISTIFIER 2000 with 2001 Chair Canopy



DEMISTIFIER 2000 with 2006 and 2007 Crib components

# DEMISTIFIER 2100

## Negative Pressure Bed Enclosure for Infectious Patients

OSHA regulations require that patients even suspected of having infectious disease be isolated under negative pressure. This presents a problem for many facilities that can not provide the necessary amount of negative pressure rooms as the need arises. The DEMISTIFIER Negative Pressure Bed Enclosure is the instant solution to isolating these patients where ever they may be.



DEMISTIFIER Negative Pressure Bed Enclosure (Catalog No. 2100).

The Negative Pressure Bed Enclosure incorporates the standard DEMISTIFIER 2000 unit with a bed frame and four sided vinyl enclosure.

The telescoping steel frame can accommodate anything from a gurney in the emergency room to a full size hospital bed. The frame breaks down to four pieces and is on wheels for easy transport and storage. The frame weighs only 50 pounds allowing manageable movement throughout the hospital.

The enclosure can be assembled around any hospital bed in 5 minutes. When the frame is in place, the durable vinyl enclosure is secured with the use of elastic bands that attach to eye hooks on the frame. Zippers along enclosure corners and service flaps on enclosure sides allow for patient access while maintaining negative air flow.

### EFFICACY OF THE DEMISTIFIER FILTER PACK AGAINST COMMON RESPIRATORY PATHOGENS

Organism	Total cfu Challenge to Filter	Recovery of Typical Colonies per Agar Strip
TB	10 <sup>5</sup>	None
Streptococcus	9x10 <sup>8</sup> (Ca. 109)	None
A. niger (mold spores)	8x10 <sup>7</sup> (Ca. 108)	None
C. albicans (yeast)	8x10 <sup>7</sup> (Ca. 108)	None

Independent studies have shown the efficacy of Peace Medical's filter pack in removing airborne drug particles and respiratory pathogens.

The DEMISTIFIER 2100 is also an ideal interim device when major construction projects disrupt hospital routine. It is being used in emergency departments, recovery rooms, ICUs and ordinary patient rooms.

## The DEMISTIFIER System Adapts for Ribavirin Treatments and Respiratory Isolation

The DEMISTIFIER can also be used for crib applications. It is available with a taller mast and shorter boom support to accommodate cribs with croup frames, to treat RSV with ribavirin. This configuration also provides respiratory isolation for infectious infants.

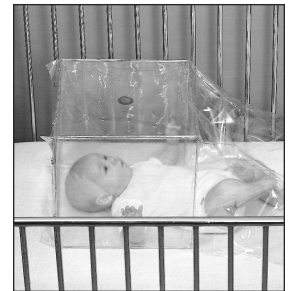
The wheels on the DEMISTIFIER allows it to be moved from treatment room to nursery by one person for greater convenience. No tools are necessary to change the mast and boom.

A special crib canopy that has openings on three sides is used to provide airflow and access to the patient during longer term treatments.

The DEMISTIFIER scavenging system has been tested by NIOSH under clinical conditions with extremely positive results. NIOSH report HETA 91-104-2229 and HETA 91-0187-2544 are available upon request.

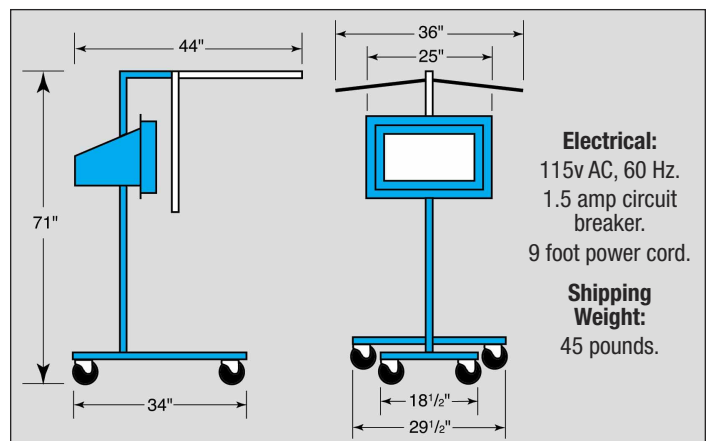


DEMISTIFIER shown with Crib Assembly No. 2007 and Crib Canopy No. 2006.



The DEMISTIFIER can be wheeled up to a crib and used when treating RSV affected infants with ribavirin. The canopy is placed over the hood, and escaping ribavirin is scavenged.

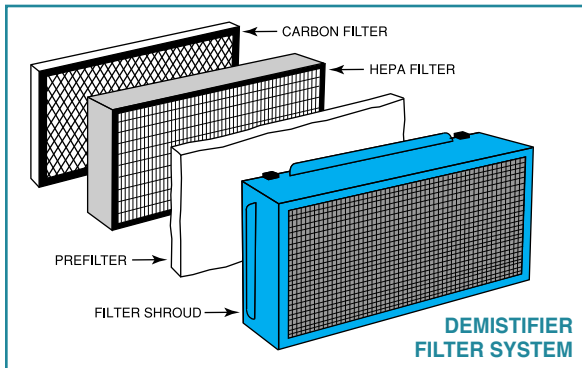
## Specifications



## Easy Change Filter System

The filter pack consists of three filters. The HEPA (High Efficiency Particulate Air) filter is manufactured from a micro fiber silicate, and individually tested to meet The Institute of Environmental Safety Standard RP-CC-001-86. This filter is 99.99% effective in removing airborne particles 0.3 microns in diameter.

The prefilter is positioned in front of the HEPA filter and is designed to capture larger airborne particles, thereby extending the life of the HEPA filter. The carbon filter is then placed behind the HEPA to help absorb odors and vapors.



## DEMISTIFIER Control Panel

The control panel consists of a 1.5 amp On/Off switch with circuit breaker designed to switch off if there is an internal failure. The control panel also includes LEDs to indicate required filter changes.

## Ordering Information

Terms: Net 30. FOB Orange, New Jersey

Item No.	Description
2000	DEMISTIFIER complete with HEPA, carbon, prefilter, motor, mobile stand and 6 standard size canopies.
2001	2 mil chair canopy. For use with wheelchair or treatment chair in upright or semi-reclined position.
2002	Replacement HEPA filter for Cat. No. 2000.
2003	Replacement Demistifier prefilter.
2004	Replacement Demistifier carbon filter.
2005	2 mil bed canopy. Covers upper body, tucks in under mattress with air flow opening directly opposite filter pack.
2006	2 mil crib canopy for use with Cat. No. 2007.
2007	Crib mast and boom assembly.
2100	Negative Pressure Bed Enclosure. Includes DEMISTIFIER Unit, isolation bed frame & four 4 mil vinyl enclosures that have zippers at all 4 corners and 2 service flaps on each long side.
2101	Isolation bed frame only for use with Cat. No. 2100.
2102	Replacement 4 mil vinyl bed enclosure for use with Cat. No. 2100.
2514	Full stretcher enclosure canopy.
2515	Half stretcher enclosure canopy.

*DVD available upon request*



**Peace Medical, Inc.**

105 West Dewey Avenue, Building C-12, Wharton, NJ07885  
 Tel: 973-672-2120 Fax: 973-672-3404  
 Email: info@peacemedical.com

**TOLL FREE: 800-537-9564**  
**www.peacemedical.com**